

### KEY FEATURES

- MODULAR DESIGN FOR MULTIPLE STAGED FILTRATION
- ECONOMICAL LOW FLOW MAKE UP
- WALL MOUNTING FREES UP VALUABLE LAB COUNTER SPACE

### UNIX MODULAR CARTRIDGE SYSTEM

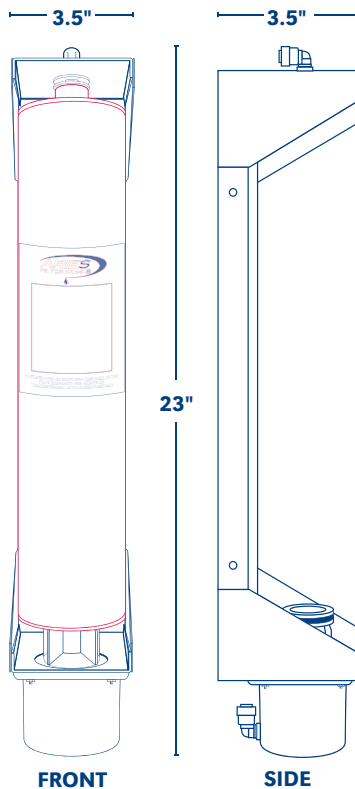
The UNIX System is a unique cartridge holder that uses quick-connect cartridges to effectively treat water and process fluids. Aries style cartridges are replaced in less than a minute without the use of any tools. The UNIX is a modular, wall-mounted system that can be easily linked together with other UNIX holders for staged filtration. A variety of cartridges are available to meet the individual application requirements. From drinking water to high purity, the Unix system and Aries cartridges provide a simple, easy, and reliable approach.

### FEATURES & BENEFITS

- NO TOOL QUICK-CONNECT CARTRIDGE REPLACEMENT
- DOWN-FLOW AND/OR UP-FLOW APPLICATIONS
- USES STANDARD VP SERIES DISPOSABLE CARTRIDGES
- BUILT-IN CHANNEL HIDES INNER-CONNECTING TUBING
- RUGGED PAINTED STEEL FRAME



### FLOW DIAGRAM



- |                    |                       |
|--------------------|-----------------------|
| • Dimensions       | 23"H x 3.5"W x 3.5"D  |
| • Weight           | 5.5 lbs               |
| • Construction     | Painted Carbon Steel  |
| • Maximum Pressure | 30 PSI                |
| • Inlet / Outlet   | 1/4" tube fitting     |
| • Valve            | 1/4" mnpt x 1/4" tube |
| • Mounting         | Wall mounted          |
| • Plastic Parts    | Non-pigmented ABS     |
| • Spring           | Stainless steel       |
| • Color            | Beige                 |

